

► **Code Number**

3335129

► **Description**

120 VAC/6.75 VDC Line Powered, Sensor Activated, Electronic Hand Washing Faucet for pre-tempered or hot and cold water operation.

► **Flow Rates**

1.0 gpm/ 3.8 Lpm

► **Specifications**

Sensor Activated, Electronic, Chrome Plated Die-Cast Metal, Gooseneck Hand Washing Faucet with the following features:

- Temporary-off Feature for Cleaning
- 12/24 hour Hygienic Rinse Line Purge Function – Field Settable
- Unitary Spout Housing Assembly for Easy Cleaning
- Modular One-piece Construction with all Concealed Components above deck
- Double Infrared Sensors with Automatic Setting Feature and Microprocessor
- Bi-stable Magnetic Solenoid Valve
- Water Supply Connection with Flexible High-pressure Hose and Strainer
- 120 VAC/6.75 VDC Plug-in Adapter (must be ordered separately for Less Adapter (-LT) faucets)
- Appropriate Mounting Hardware included

► **Variations**

P - Plug-In Adapter

ISM - Integral Side Mixer

► **Accessories (Sold Separately)**

Trim Plates must be specified and ordered separately.

1.5 gpm/5.7 Lpm Aerated Stream



► **The new Optima® faucet — Bringing intelligence to water**

- Optional ISM models feature an integral temperature control lever which allows the user to adjust the water temperature. This adjustment can also be converted to a fixed setting. EAF faucets ordered without the ISM variation must be connected to a single, pre-tempered water supply.
- Sloan's new Optima EAF-700 Series electronic hand washing faucets operate by means of a dual infrared sensor and microprocessor based logic. The modular design incorporates all of the operating components of the faucet, including the sensor, solenoid and circuitry above the sink within a die-cast metal spout.
- Optima EAF-700 series faucets are powered by a 120 VAC/ 6.75 VDC plug-in voltage adapter. Each adapter can supply power for up to six (6) faucets by means of the Power Splitter (optional) with each (-LT) faucet.
- The i.q.-Click feature allows the user to place the faucet into optional function modes, including "continuous run" and "temporary off" simply by pressing a button on the spout. The use of the i.q.-Click feature is recommended only in installations where users have a regular familiarity with the faucet (i.e., executive and non-public rest rooms). Models furnished with the i.q.-Click feature are also available with a Drain Pop Up.

► **Compliance & Certifications**

CEC Compliant

ASME A112.18.1-2005



This space for Architect/Engineer Approval

► Control Circuit

6.75 VDC — Includes Auto Set Range Adjustment

► Sensor Range

Nominal: 4"-7" (102 mm-179 mm)

Faucet Adaptive Self-adjustment Range: 2"-14" (51 mm -356 mm) nominal

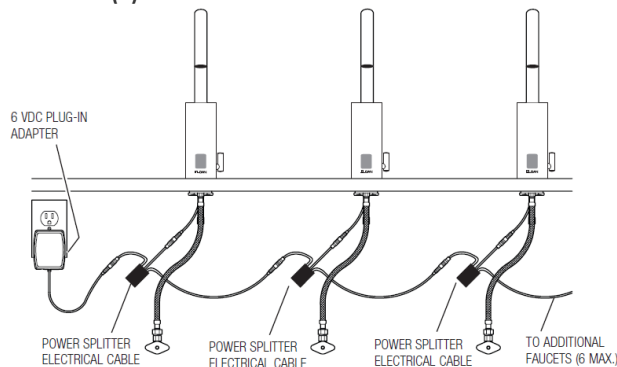
► Power Supply

120 VAC/6.75 VDC Plug-in Voltage Adapter

► Time Out Setting

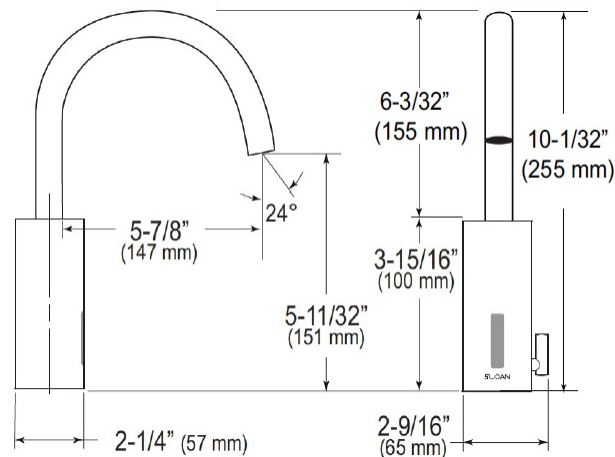
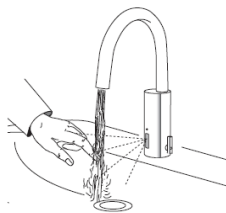
30 seconds — Maximum time faucet will run upon continuous detection

► ELECTRICAL CONNECTION FOR UP TO SIX (6) FAUCETS USING ONE (1) ADAPTER



► OPERATION

As the user's hands enter the beam's effective range, the beam is reflected back into the sensor receiver and activates the solenoid valve allowing water to flow from the faucet. Water will flow until the hands are removed or until the faucet reaches its automatic time out limit setting.



i.q.-Click SETTINGS

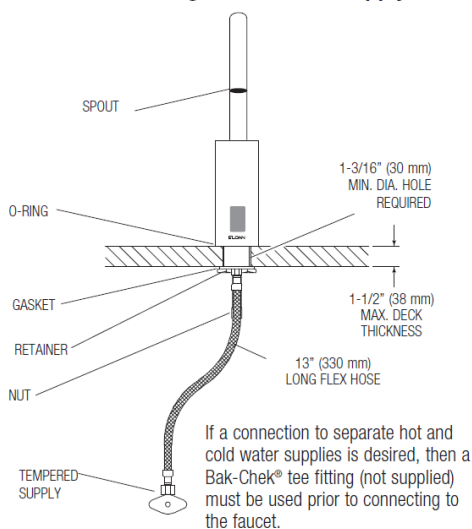
Function	Press Button	LED Signal
Continuous Run — 2 minute default setting (adjustable from 1 - 20 minutes)	1 time for 2 seconds	5 short flashes
reset:	1 time or will reset automatically after 2 minutes	
Temporary Off	2 times (double click)	5 short flashes followed by periodic flashing
reset:	1 time or will reset automatically after 2 minutes	
Auto Set Range Adjustment	2 times (double click) and then 1 time for 5 seconds	5 short flashes followed by 4 short flashes

The i.q.-Click is a button that extends from the underside of the faucet spout that allows the user to place the faucet into the following function modes: Continuous Run, Temporary Off, Permanent Off and Auto Set Range Adjustment.

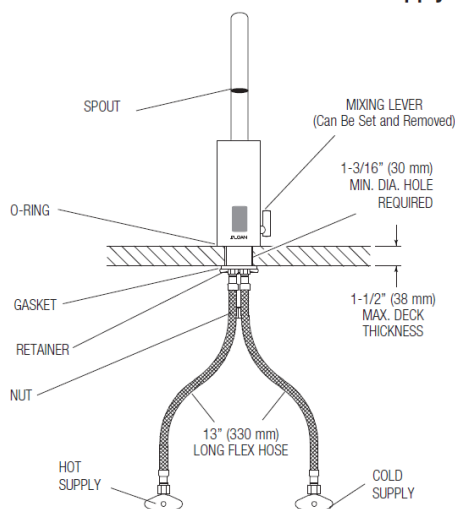
Because the use of the i.q.-Click feature requires familiarity with the faucet, this feature is not recommended for faucets intended for use by the general public. The i.q.-Click is ideal for use in hospital rooms, executive restrooms and other locations where the primary user has regular contact with the product.

► ROUGH-IN

EAF-700 Faucets with Single Line Water Supply



EAF-700-ISM Faucets with Hot and Cold Water Supply



When the EAF faucet is installed on a sink that has three (3) hole punchings, a Trim Plate should be used. **Trim Plates must be specified and ordered separately:**

SFP-11
Trim Plate for 4" (102 mm)
Centerset Sink

SFP-22
Trim Plate for 8" (204 mm)
Centerset Sink